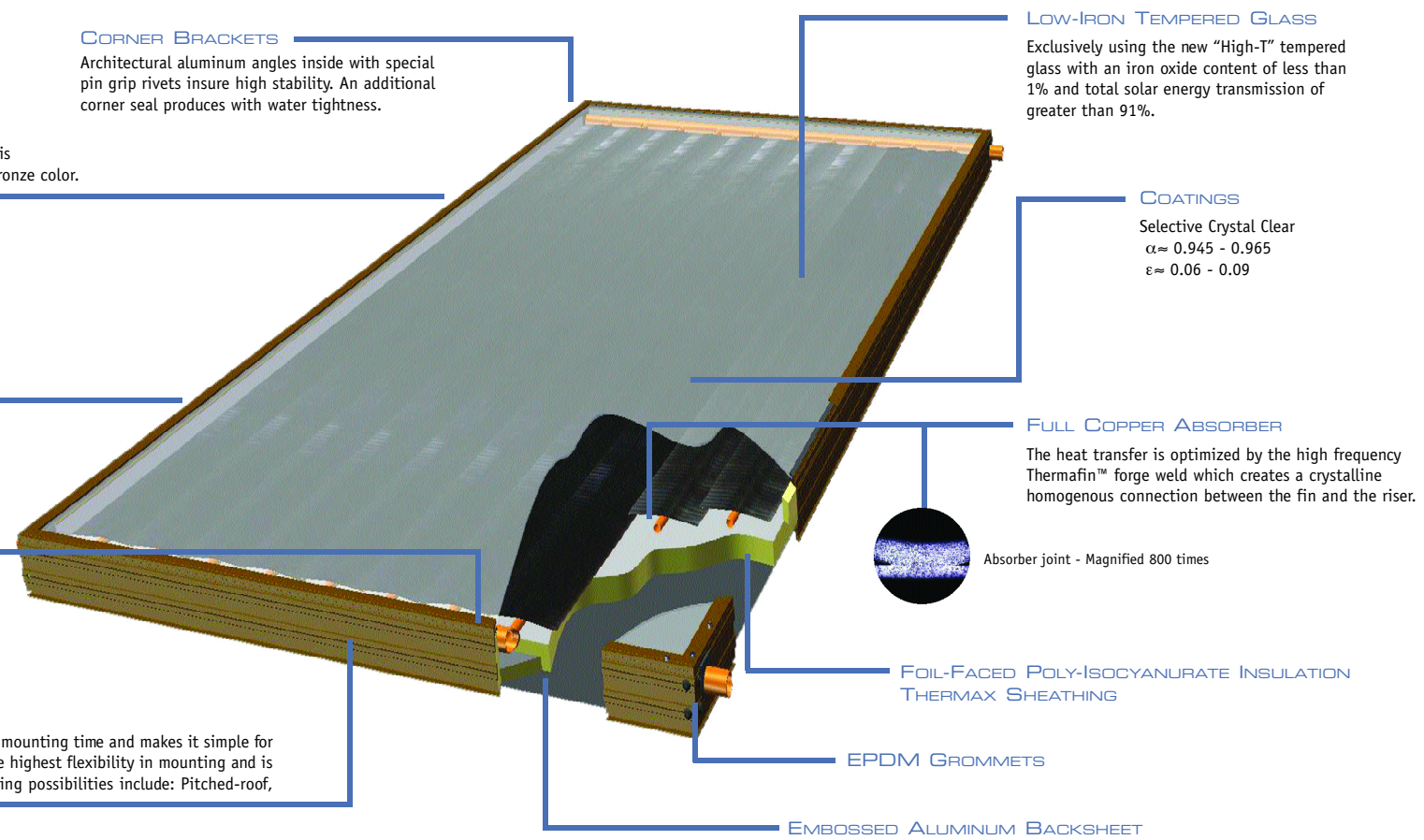


The SS Collector - Series

Miami Test Lab Certified to 181 mph wind load



ALUMINUM FRAME AND LIGHTWEIGHT CONSTRUCTION

...this facilitates long life and strength. The frame is electrostatically painted in an attractive medium bronze color.

CORNER BRACKETS

Architectural aluminum angles inside with special pin grip rivets insure high stability. An additional corner seal produces with water tightness.

LOW-IRON TEMPERED GLASS

Exclusively using the new "High-T" tempered glass with an iron oxide content of less than 1% and total solar energy transmission of greater than 91%.

ALUMINUM EXTRUDED BATTEN

No silicon is used! Ribbed aluminum extrusions and a smooth compressed EPDM gasket provide water tightness. This allows easy access to the collector for repair or maintenance at any time or location.

COATINGS

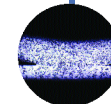
Selective Crystal Clear
 $\alpha \approx 0.945 - 0.965$
 $\varepsilon \approx 0.06 - 0.09$

GLASS GASKET

...a UV durable EPDM channel with molded corners assures long life and avoids all water penetration.

FULL COPPER ABSORBER

The heat transfer is optimized by the high frequency Therafin™ forge weld which creates a crystalline homogenous connection between the fin and the riser.



Absorber joint - Magnified 800 times

"QUICK LOCK" MOUNTING FRAME

The variable Quick Lock mounting hardware reduces mounting time and makes it simple for anyone to install. The Quick Lock System allows the highest flexibility in mounting and is tested to wind load conditions of 181 mph. Mounting possibilities include: Pitched-roof, Flatroof, Ground, Balcony, and Facade mounting.

FOIL-FACED POLY-ISOCYANURATE INSULATION THERMAX SHEATHING

EPDM GROMMETS

EMBOSSSED ALUMINUM BACKSHEET



MANUFACTURED BY

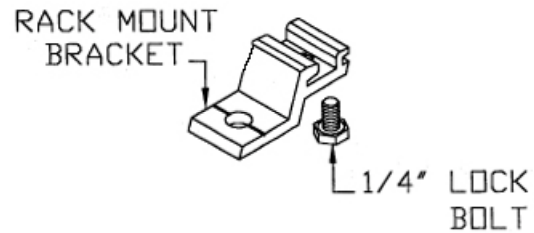
solarskies™
engaging the sun

Solar Skies, Mfg, LLC
 Starbuck, MN 56381
 1-877-SOLAR-57
 www.solarskies.com

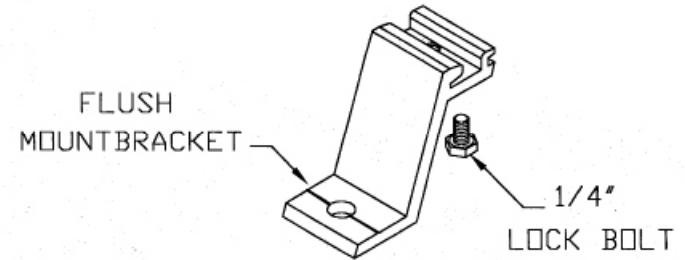
SPECIFICATIONS						
Collector	SS-21	SS-24	SS-26	SS-28	SS-32	SS-40
Gross Area (ft2)	20.87	23.81	25.35	27.97	31.91	39.79
Dimensions (in)	85.25 x 35.25	97.25 x 35.25	77.25 X 47.25	85.25 X 47.25	97.25 X 47.25	121.25 X 47.25
Transparent Area (ft2)	19.22	21.99	23.65	26.16	29.93	37.47
Weight (lb)	74	84	90	99	113	153
Tested: TUV (DIN 4757), RAPPERSWILL, ONORM M7714, FSEC, SRCC, Metropolitan Dade County, Miami Test Lab						

SS Series Mounting Hardware

MT-RM Rack Mount (4 PER KIT)

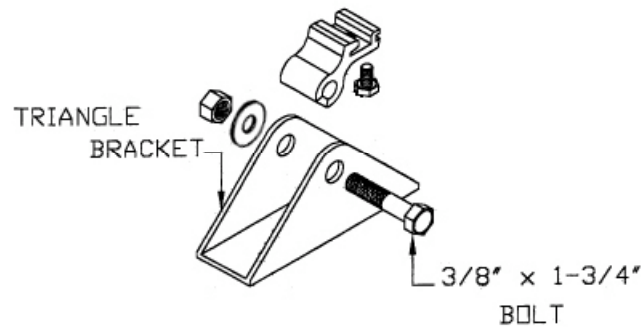


MT-FM Flush Mount (4 PER KIT)

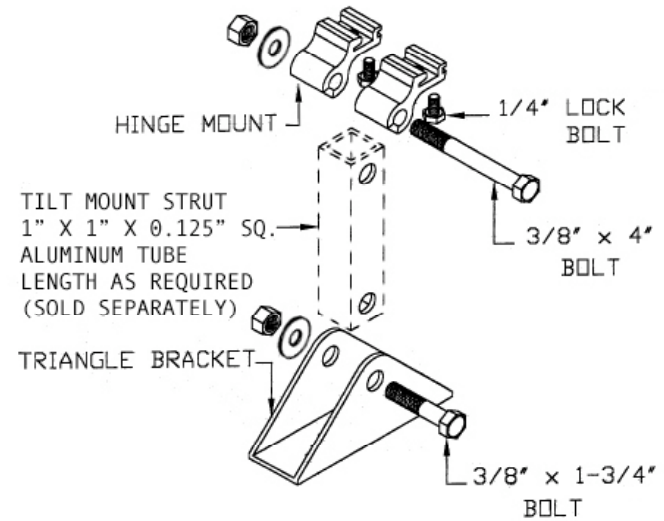


MT-TM Tilt Mount (*strut not included)

(2 FRONT, 2 REAR PER KIT)*



FRONT



REAR